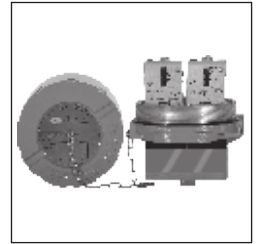
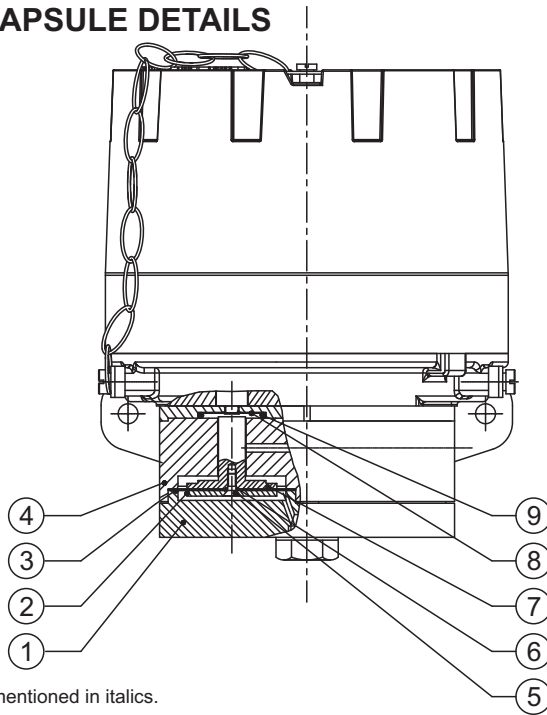


DUAL HIGH RANGE PRESSURE DIFFERENCE SWITCHES

DS



PRESSURE CAPSULE DETAILS

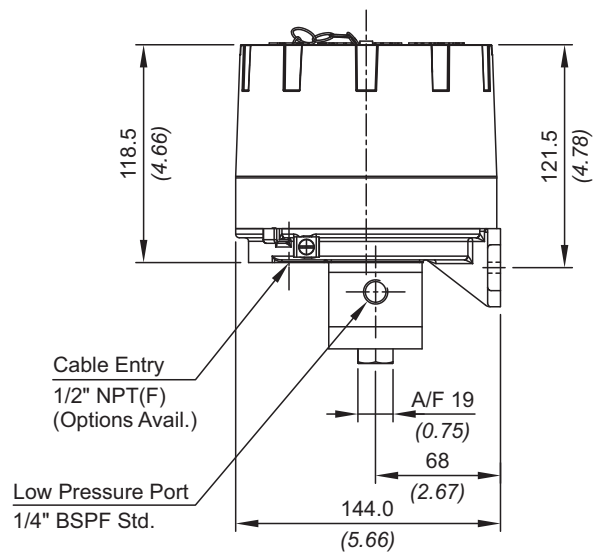
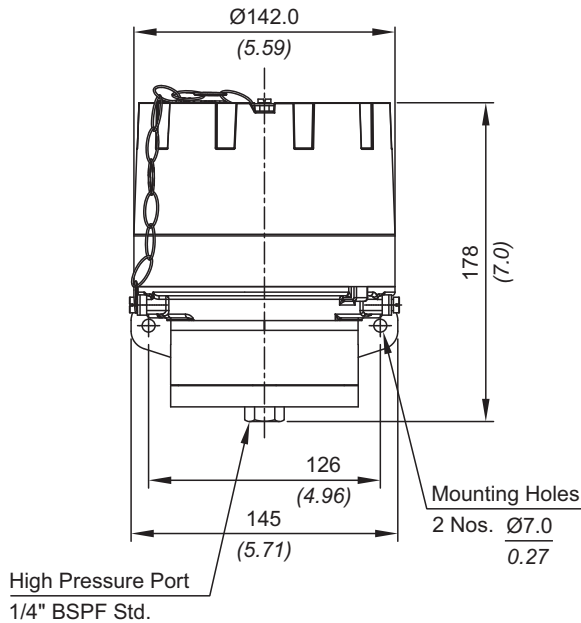


No. Description

1. Pressure Housing (SS)
2. HP Plunger (SS316)
3. Diaphragm (PTFE[®])
4. Disc (Al)
5. CSK Screw (SS)
6. O-Ring (PTFE[®])
7. LP Plunger (SS316)
8. Sealing Diaphragm (PTFE[®])
9. Sealing O-Ring (PTFE[®])
(Options Available)

Note : *wetted parts* are mentioned in italics.

INSTALLATION DRAWING



APPROX. DIMENSIONS IN $\frac{\text{mm}}{\text{inches}}$

DS DUAL HIGH RANGE PRESSURE DIFFERENCE SWITCHES

RANGE SELECTION TABLE

Range Code	Range bar (psi)	Differential* bar (psi)	Maximum Working Pressure bar (psi)
		Approximate Maximum for "A1" microswitch	
H01	0.1 - 1.0 (1.45 - 14.50)	0.12 (1.74)	12 (174.05)
H02	0.2 - 1.5 (2.90 - 21.76)	0.20 (2.90)	12 (174.05)
H03	0.2 - 2.6 (2.90 - 37.71)	0.20 (2.90)	12 (174.05)
H04	0.2 - 3.6 (2.90 - 52.21)	0.30 (4.35)	12 (174.05)

Note:

1. The minimum differential increases with the setpoint. The differential values mentioned in the above table are approximate maximum for FSR. The differential value will vary according to the pressure range selected and microswitch type. For actual values of differential please contact sales office.

2. When using 2SPDT switching arrangement, both microswitches may not actuate and/or deactuate at the same point. A small stage gap, normally upto +/- 5% FSR (depending on range code) may be observed. The On-Off differential (hysteresis) typically tends to be atleast double of those published for 1SPDT pressure switches.

If actuation and/or deactuation at same point is critical part of operation, then it can be achieved by using a separate DPDT relay. This relay will need a separate power supply for it's coil.

DUAL HIGH RANGE PRESSURE DIFFERENCE SWITCHES

DS

HOW TO ORDER INDUSTRIAL DUAL HIGH RANGE PRESSURE DIFFERENCE SWITCHES

Group 1	Group 2	Group 3	Group 4	Group 5	Group 6	Group 7	Group 8						
Non standard allocation	Model	Cable Entry Size	Switch Type	Range Code (values in bar)	Microswitch Type	Pressure Port Material / Size	Diaphragm						
<input type="checkbox"/> A prefix "N" is used in the model code in case of any non standard options / accessories that are provided with the switches. Will be given by manufacturer, only after agreement of supply details with customer. The prefix is subject to change as per specific requirement.	DS = Dual Pressure Switch with IP66 rated enclosure as per IS/IEC 60529	1 = Al. enclosure 1/2" NPT threads 2 = Al. enclosure 3/4" NPT threads 3 = Al. enclosure M20 X 1.5 threads 7 = SS enclosure, 1/2" NPT threads 8 = SS enclosure, 3/4" NPT threads 9 = SS enclosure, M20 X 1.5 threads	DF2 = pressure difference switch, fixed differential with scale in bar DF3 = pressure difference switch, fixed differential with scale in psi *DA2 = pressure difference switch, adjustable differential with scale in bar *DA3 = pressure difference switch, adjustable differential with scale in psi *Available with A6 & A9 (in group 6) only	H01 = (0.1 - 1.0) H02 = (0.2 - 1.5) H03 = (0.2 - 2.6) H04 = (0.2 - 3.6)	A1 = General purpose microswitch, rated at 15 A; 250 VAC *A6 = Adjustable deadband *A7 = 2SPDT switching elements *A8 = General purpose microswitch *A9 = General purpose microswitch *B7 = 2SPDT Switching Elements * Please refer to page nos. 290 & 291 for options and specifications of microswitches Please contact sales office for additional information	S1 = SS316 / 1/4" BSP(F) S2 = SS316 / 1/4" NPT(F)	0 = Neoprene 1 = PTFE						
Approx. switch weight in Kgs													
<table border="1"> <tr> <td>Enclosure</td> <td>DS</td> </tr> <tr> <td>Aluminium</td> <td>4.930</td> </tr> <tr> <td colspan="2">Pl. contact sales office for switch weight with SS enclosure</td> </tr> </table>		Enclosure	DS	Aluminium	4.930	Pl. contact sales office for switch weight with SS enclosure							
Enclosure	DS												
Aluminium	4.930												
Pl. contact sales office for switch weight with SS enclosure													

eg. A dual high range pressure difference switch with fixed differential having 0.1 bar to 1 bar pressure range, with 5 Amp. microswitch, SS316 pressure housing with 1/4" BSP port size & neoprene diaphragm shall be specified by

Group 1	Group 2	Group 3	Group 4	Group 5	Group 6	Group 7	Group 8
<input type="checkbox"/>	DS	3	DF2	H01	A8	S1	0

Please specify full model number to avoid ambiguity.